

UD2600LP

2010 Model Year



WHEELBASES	E [†]	H	K	M	N	R	S
GVWR (lb.)	25,995	25,995	25,995	25,995	25,995	25,995	25,995
Chassis Weight (lb.) [†]	9,395	9,485	9,595	9,705	9,835	9,850	9,910
Front (lb.)	5,790	5,920	6,010	6,055	6,120	6,100	6,140
Rear (lb.)	3,605	3,565	3,585	3,650	3,715	3,750	3,770
Gross Payload (lb.) [*]	16,600	16,510	16,400	16,290	16,160	16,145	16,085
Wheelbase (in.) ** WB	150.39	177.17	192.91	208.66	222.44	238.19	253.94
Cab-to-Rear Axle (in.) CA	118.27	145.04	160.79	176.54	190.31	206.06	221.81
Rear Overhang (in.) RO	44.88	72.88	76.97	88.58	102.36	110.24	114.17
Overall Length (in.) OL	245.67	300.39	320.28	347.64	375.64	398.20	418.50
Turning Radius (ft.)	21.30	25.40	27.40	29.40	31.20	32.80	35.00
Typical Body Lengths (ft.)***	14/16	16/18	18/20	20/22	24/26	26/28	28/30

[†] Chassis Weight will be 25 lbs. heavier at the "Rear", on average, when Air-Ride suspension is selected. ^{*}Gross payload capacity equals GVWR minus chassis weight. Installation of specialized equipment or bodies may require frame reinforcement. ^{**}Wheelbase selection should be based on specific weight distribution. ^{***}Typical body lengths assume water level load (no specific consideration for driver, passengers, or fuel) to maximize GVWR. Addition of ancillary equipment such as lift gates and refrigeration units not considered in calculations. [†]Air-Ride Suspension not available on E W/B.

ENGINE	MD-230* 24 Valve
	Turbo/Intercooled Diesel
	In-line 6 cylinder, Direct-injection
Horsepower	230 hp @ 2,500 rpm
Torque	506 lb. ft. @ 1,500 rpm
Displacement	469 in. ³ (7.684 L)
Cylinder Liner	Dry, replaceable
Air Compressor	14.1 CFM @ 2,600 engine rpm (nominal)
Fuel System	Electronically controlled common rail system
Air Cleaner	11 in., paper filter type (DONALDSON)
Cold Starting Aid	Automatic electric glow plug
Fan	Viscous type drive

*MD-230 (J08E-UJ) is a vendor engine manufactured for Nissan Diesel Motor Company

FRONT AXLE

GAWR	9,480 lb.
Rated Axle Capacity	9,480 lb.
Axle Type	"I" Beam
Suspension	Semi-elliptic leaf springs
Shock Absorbers	Telescopic type



Transmission

STD
Nissan Diesel, MLS63B
Manual, 6 forward speeds & 1 reverse synchromesh on 2nd through 6th gears

OPTION
Allison, 2200RDS
Automatic
5 forward speeds & 1 reverse

Ratios

1st	6.72	3.10
2nd	4.03	1.81
3rd	2.30	1.41
4th	1.44	1.00
5th	1.00	0.71
6th	0.74	—
Rev.	6.12	4.49
R/A Ratio	4.88	4.88
Engine rpm @ 65 mph	2,185	2,194*

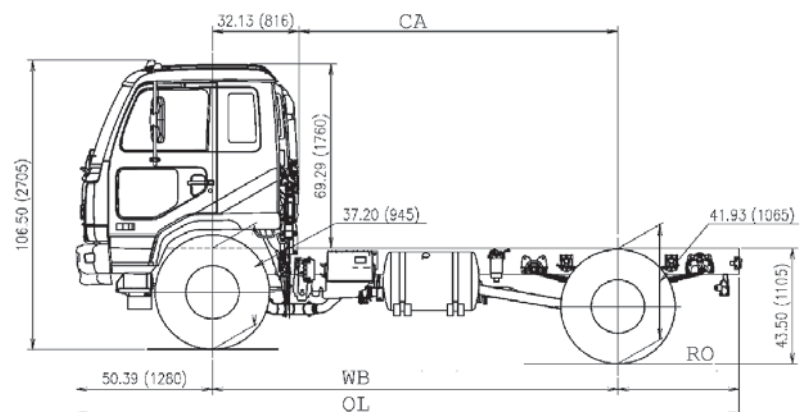
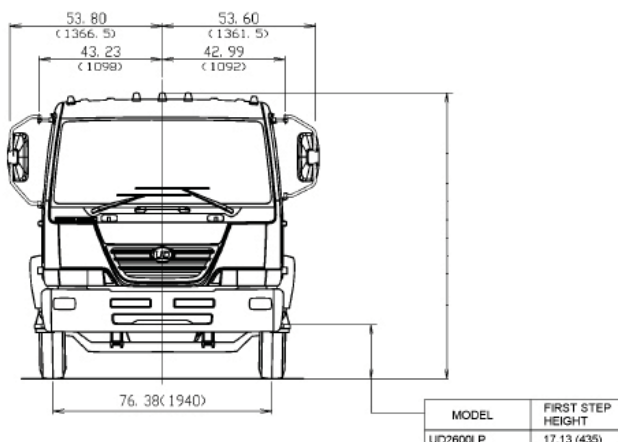
*Approximate engine rpm only. Allison will provide a performance scan by application on request.

CLUTCH

Hydraulic clutch with air assist
13.8 in. cerametallic friction material
Standard clutch wear indicator

STEERING

Integral power steering, gear driven pump



UD2600LP

2010 Model Year



REAR AXLE.

GAWR	18,080 lb.
Rated Axle Capacity	18,080 lb.
Axle Type	Full-floating banjo housing
Suspension Type	Semi-elliptic leaf springs with auxiliary springs

WHEELS & TIRES

Tires	Front: Single, highway tread Rear: Dual, highway tread 255/70R22.5 - 14PR (tubeless radial)
Wheels	Steel disc type, 10 hole, 22.5 x 8.25 in., offset 6.50 in.

BRAKE SYSTEM

Service Brakes	Anti-lock Braking System Dual line, air-over-hydraulic brake system
Front	Internal expanding, two leading shoe, self-adjusting drum brakes Drum diameter x lining width x lining thickness: 15.75 x 4.72 x 0.59 in.
Rear	Internal expanding, dual two leading shoe, self-adjusting drum brakes Drum diameter x lining width x lining thickness: 15.75 x 6.10 x 0.59 in.
Air Tanks	Supply: 641 in. ³ Front service: 549 in. ³ Rear service: 641 in. ³ Total: 1,831 in. ³
Air Dryer	Standard
Parking Brake	Hand brake lever activating drum at rear of transmission

EXHAUST BRAKE

Electrically controlled, pneumatically
activated butterfly valve in exhaust pipe

CHASSIS FRAME

Ladder type, channel section side rails

Dimensions (in.)	9.84 x 3.15 x 0.31
Assembled Width (in.)	33.86
Section Modulus (in.3) **	26.6
Yield Strength (psi)	51,200
RBM (in.-lb.)	1,362,000

*Height x Flange Width x Thickness

**Measured at back-of-cab, specifications based on complete chassis (both rails)

FUEL TANK

Round fuel tank, mounted to left side
Capacity - 50 gallons

CAB

Air Conditioner	Forward control, steel construction, tilting cab. Cab suspension w/ shock absorbers
Cab Glass	Standard
Cruise Control	Windshield, tinted laminated, 2,314 in. ²
Door Vent Window	Standard
Driver's Seat	Driver, ventilating type Height & seat back angle adjustable w/air suspension, cloth cover, high back type
Floormat	Standard
Keyless Entry	Standard
Passenger Seat	Standard
Power Windows & Door Locks	Seat back angle adjustable. Cloth cover, high back
Seat Belts	Standard
Rearview Mirrors	Driver & passenger, 3-point ELR type West coast type, 6.5 x 11 in. with Convex type, 5.8 x 4.3 in.
Steering Column	Tilt & telescopic type
Sun Visors	Driver & passenger
Windshield Wipers	Intermittent & 2 speed

ELECTRICAL EQUIPMENT

Back-up lights
Cigar lighter
Clearance, identification & position lights
Day-time running lights
Halogen headlights, 2 lamps
Interior and map light
License light
Side turn signal lights
Stop/tail lights
Turn signal/hazard lights
Power outlet - 12 volt

INSTRUMENTS

Meters & Gauges
Air pressure gauges
Coolant temperature gauge
Fuel gauge
Speedometer, odometer & trip meter
Tachometer

Warning & Indicator Lights & Buzzers

ABS warning light
Alternator low charge warning light
Automatic Transmission:
- Check warning light
- Range inhibited warning light
- High temperature fluid warning
light & buzzer
Cab lock warning light & buzzer
Engine control system warning light
Engine glow plug indicator light
Exhaust brake indicator light
External air restriction indicator
Hazard warning flasher
High beam indicator light
Low air pressure warning light & buzzer
Low brake fluid level warning light
& buzzer
Low coolant level & overheating
warning light & buzzer
Low oil pressure warning light
Parking brake indicator light
Sedimentor warning light
Service brake warning light & buzzer
Turn signal indicator lights
Warning lights with burnt-out bulb
check function
Backup alarm
DPF warning/indicator lights

OTHER OPTIONS

AM/FM stereo radio with CD
Air-Ride Suspension (N/A on E WB)
Block heater
Center console/third seat
Rear wheel parking brake
Heated mirrors
Rear traction tires

All illustrations, specifications and descriptions in this specification are based on the latest product information available at the time of this publication. The right is reserved to make changes in price, materials, equipment, design, specifications, diagrams and models, and to discontinue models of equipment at any time, without notice and without incurring any obligation whatsoever. For more information on additional options and accessories, contact NISSAN DIESEL AMERICA, INC.

Manufacturer:
NISSAN DIESEL MOTOR CO., LTD.
Saitama, Japan

Distributor:
NISSAN DIESEL AMERICA, INC.
P.O. Box 152034
Irving, Texas 75015-2034
www.udtrucks.com