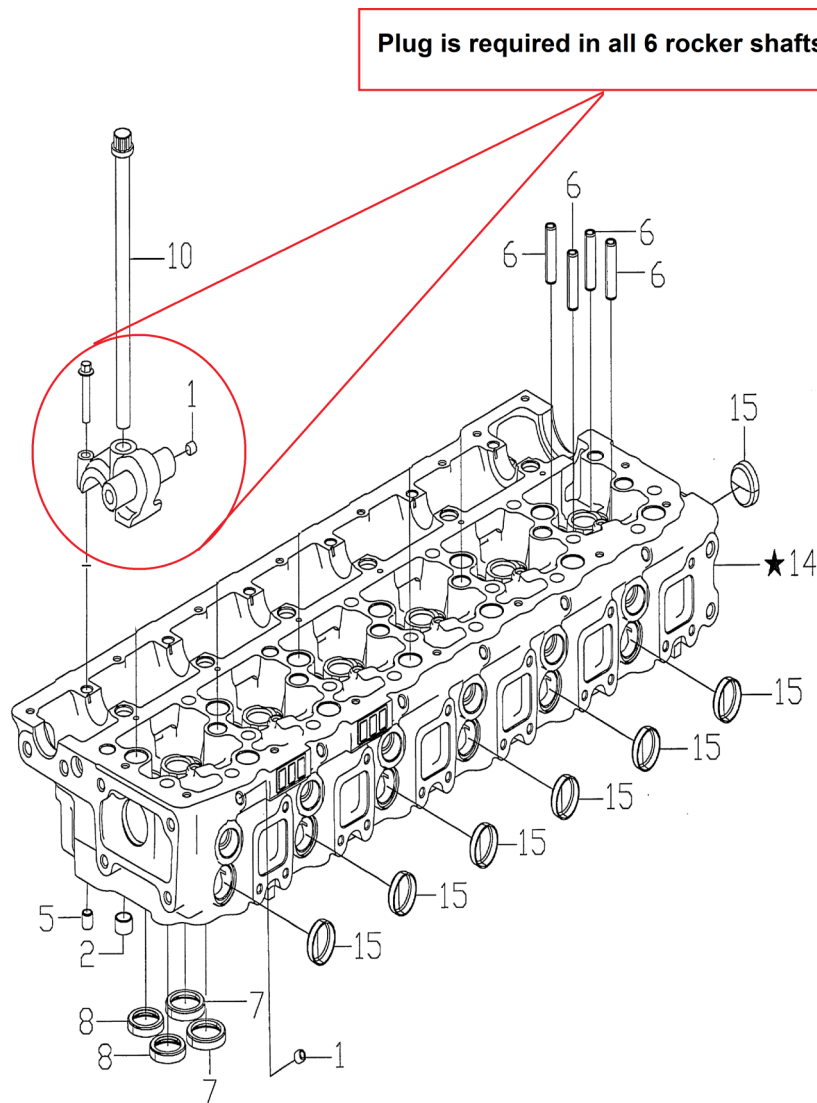


Department: Service
 Section: Engine
 Model(s): GH7
 Model Year(s): 2011, 2012 & 2013
 Effective Date: November 15, 2016
 Form #: TB EN-59
 Rev #: N/A
 Supersedes: N/A

SUBJECT: Cylinder head rocker shaft plugs

Purpose: To advise technicians GH7 cylinder head rocker shaft plugs must be installed when replacing the cylinder head.

New GH7 cylinder head rocker shafts are furnished with the head. The rocker shaft plugs are part of a conditional interchange that must be ordered separately. Install one plug in each rocker shaft and tighten as required.



The Information contained in this bulletin should not be interpreted as the basis for a warranty claim