

SUBJECT: GH7 Engine Front and Rear Crankshaft Oil Seal Installation Tools

Department: Service
 Section: Tools
 Model(s): GH7 Engine
 Model Year(s): 2011 and After
 Effective Date: 05/07/2012
 Form #: TSB TL-30
 Rev #: n/a
 Supersedes: n/a

TOOL NOTICE:

Dealers were notified October 13, 2011 that newly designed front and rear crankshaft installation tools would be shipped to all UD Truck Dealers. This is a press style seal installer.

On October 12, 2011 dealers received a credit for the previous front and rear seal (driver style) part numbers, # 9996042 and # 9996311 and were requested to scrap these two obsolete tools.

GENERAL INFORMATION:

UD Truck Dealers should use the following tools when installing the front or rear crankshaft oil seals.

- | | | |
|----------|-------------------------------------|------------|
| 88800329 | Front Crankshaft Oil Seal installer | (Figure 1) |
| 88800322 | Rear Crankshaft Oil Seal installer | (Figure 2) |

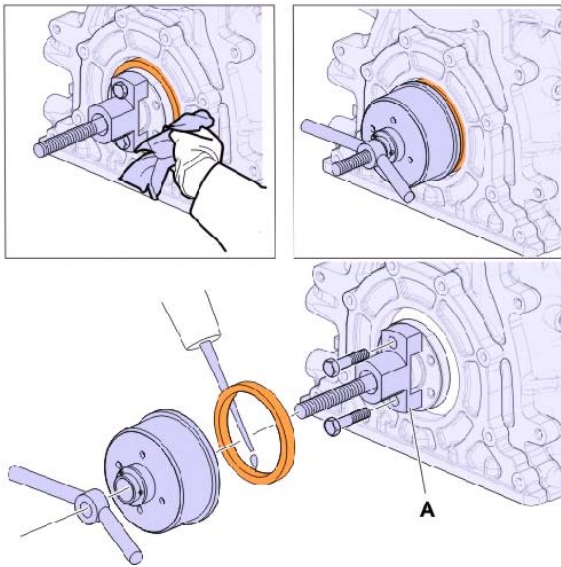


Figure 1

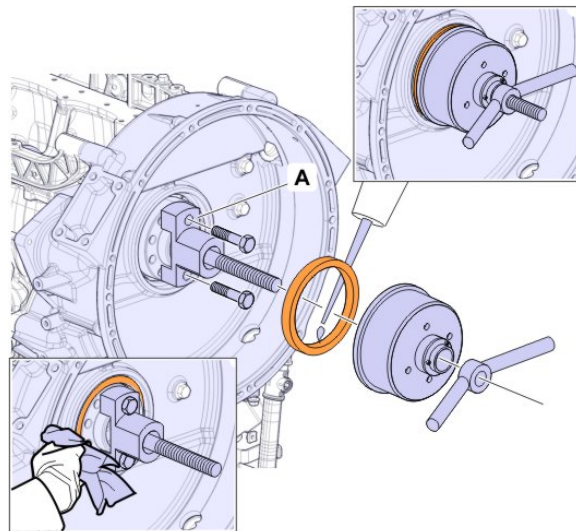


Figure 2

Refer to the Service Manual in IMPACT with Premium Tech Tool for seal installation procedures.

The Information contained in this bulletin should not be interpreted as the basis for a warranty claim.