

TECHNICAL BULLETIN CL-07

DATE: April 27, 2007
 MODEL YEAR: 2005 and Early Production 2006 MY with Manual Transmission
 TRANSMISSION : Model MLS63B
 CHASSIS MODEL: UD1800HD~UD3300
 BULLETIN NUMBER: CL-07

RECOMMENDED CLUTCH RELEASE SLEEVE INSPECTION

PURPOSE

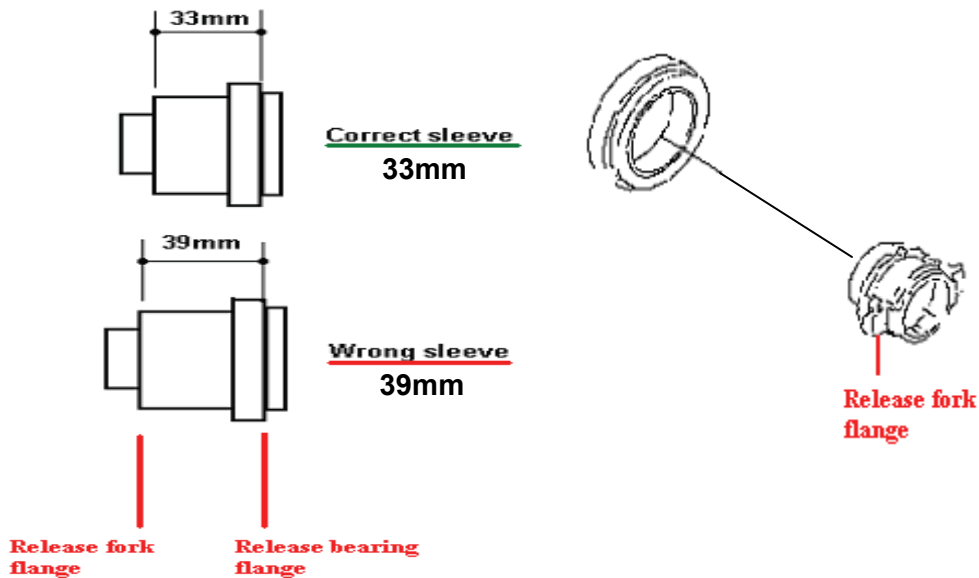
Verify the clutch release bearing sleeve length when performing clutch or transmission related repairs.

RECOMMENDATIONS

When vehicle repair or service procedures require the removal of the MLS63B manual transmission on 2005 and early production 2006 model year UD1800~UD3300 trucks, it is recommended to inspect the length of the clutch bearing release sleeve prior to reassembly.

SERVICE PROCEDURES

Measure the length between the release fork flange and the release bearing flange as shown below. If the length is found to be greater than 33 mm refer to the Engineering Upgrade Program V (EUP-5) for additional repair and parts information. [Click here to view the EUP-5 Bulletin.](#)



THE INFORMATION CONTAINED IN THIS BULLETIN SHOULD NOT BE INTERPRETED AS THE BASIS FOR WARRANTY CLAIMS

FOR THE INDICATED PERSONNEL BELOW, PLEASE READ, INITIAL, AND ROUTE TO THE FOLLOWING:

X	SERVICE MANAGER	X	WARRANTY MANAGER	X	SERVICE TECHNICIANS INITIAL BELOW:		
X	PARTS MANAGER	X	SHOP FOREMAN				