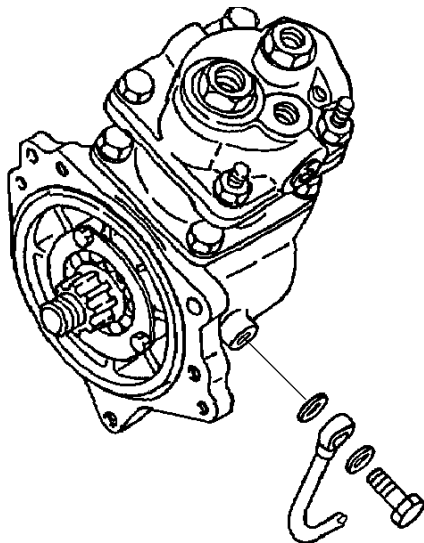


DATE: JULY 8, 1997
MODEL YEAR: 1995 - 1997
CHASSIS MODEL: UD1800/UD2300/UD2600/UD3000
ENGINE MODEL: FE6TA - 201914 AND AFTER
BULLETIN #: EA - 01
FILE IN THE ENGINE SECTION OF THE TECHNICAL BULLETIN BINDER

RESTRICTED BANJO BOLT FOR AIR COMPRESSOR OIL INLET

PURPOSE:

To advise the UD Truck technicians that the air compressor oil inlet banjo bolt has been changed beginning with the 1995 model year FE6TA engine. Failure to install the correct banjo bolt in the oil inlet connection may cause the the air compressor to pass engine oil into the air system, which will lead to shortened service life for the air dryer dessicant and/or damage to the brake valve seals due to oil contamination.



CHANGE NOTICE:

Beginning with FE6TA engine serial number 201914, the air compressor oil inlet banjo bolt is now restricted. The purpose of the restricted banjo bolt is to reduce the amount of engine oil supplied to the air compressor crankcase.

PARTS NOTICE:

The restricted banjo bolt part number is 15105 - Z5501. Replacement bolts are available through the NDA Parts Department.