



TRUCKS

TECHNICAL BULLETIN TL-21

DATE: JULY 23, 2001
MODEL YEAR: 1999 AND AFTER
CHASSIS MODEL: ALL
ENGINE MODEL: FD46TA/FE6TA 24-VALVE
BULLETIN #: TL - 21
FILE IN THE TOOL SECTION OF THE TECHNICAL BULLETIN BINDER

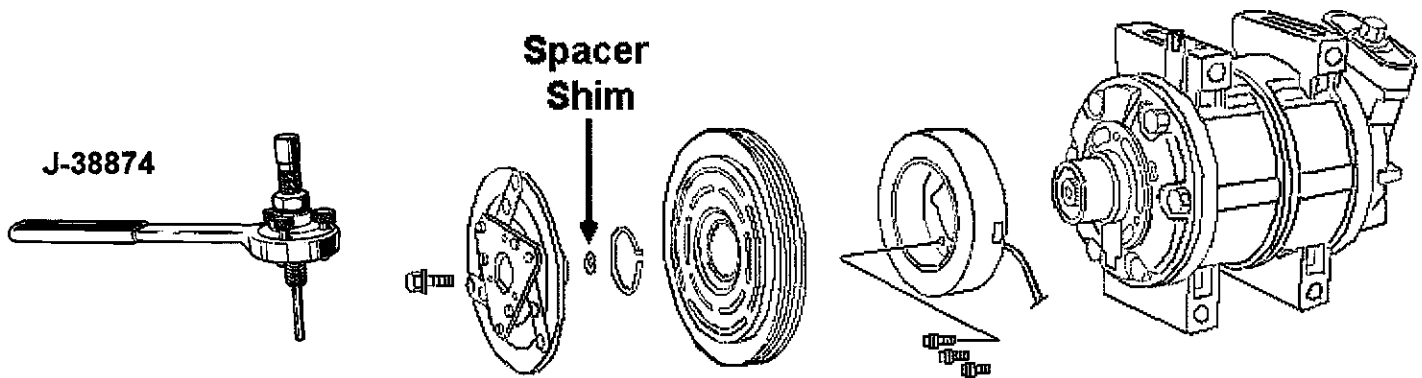
ZEXEL A/C COMPRESSOR CLUTCH REPLACEMENT

PURPOSE

To announce the availability of an existing Kent-Moore tool number, J-38874, for replacement of the magnetic clutch assembly in the Zexel air conditioning compressor. The Zexel compressor is used in the Zexel light duty and the Calsonic medium duty air conditioning systems for 1999 model year and after vehicles.

SERVICE NOTICE

The magnetic clutch for the Zexel air conditioning compressor is field replaceable. Kent-Moore tool number J-38874 is available from the SPX Corporation (1-800-32-TOOLS) and allows the removal of the pressed-on magnetic clutch components directly off of the compressor unit.



Refer to the Air Conditioning section of the appropriate Service Manual whenever it is necessary to replace the magnetic clutch assembly.

INFORMATION CONTAINED IN THIS BULLETIN SHOULD NOT BE INTERPRETTED AS THE BASIS FOR CLAIMS UNLESS SO DESIGNATED					
FOR THE INDICATED PERSONNEL BELOW PLEASE READ, INITIAL AND ROUTE TO THE FOLLOWING:					
X	SERVICE MANAGER	X	WARRANTY MANAGER	X SERVICE TECHNICIANS INITIAL BELOW:	
X	PARTS MANAGER	X	SHOP FOREMAN		