

**TECHNICAL BULLETIN TR-20**

DATE: MAY 26, 2004  
 MODEL YEAR: 1999 ~ 2004  
 CHASSIS MODEL: UD1200/UD1400/UD1800CS  
 BULLETIN NUMBER: TR-20  
 FILE IN THE TRANSMISSION SECTION OF THE TECHNICAL BULLETIN BINDER

**AISIN ATM SPEEDOMETER DRIVEN GEAR CHANGE**

**PURPOSE**

To advise UD Truck Dealers that the speedometer driven gear for the Aisin ATM has been changed to a steel gear.

**CHANGE NOTICE**

2004 Model Year vehicles built after August 1, 2003 with an Aisin ATM have the steel driven gear.

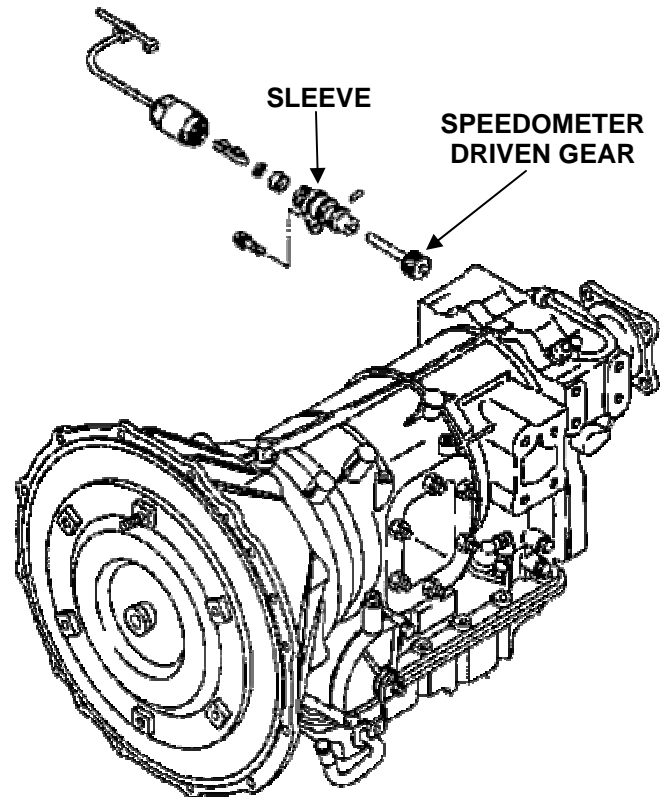
**PARTS NOTICE**

All remanufactured Aisin ATMs will have the steel speedometer driven gear installed starting May 18, 2004 with serial number 04EM1270R.

**DO NOT REMOVE THE STEEL SPEEDOMETER DRIVEN GEAR.**

**SERVICE NOTICE**

Remanufactured units equipped with the speedometer steel driven gear can be identified by the presence of the speedometer driven gear and sleeve, as shown in the illustration above, that has been installed by the remanufacturer.



|   |                 |   |                  |                                      |  |  |  |
|---|-----------------|---|------------------|--------------------------------------|--|--|--|
| THE INFORMATION CONTAINED IN THIS BULLETIN SHOULD NOT BE INTERPRETED AS THE BASIS FOR WARRANTY CLAIMS |                 |   |                  |                                      |  |  |  |
| FOR THE INDICATED PERSONNEL BELOW, PLEASE READ, INITIAL, AND ROUTE TO THE FOLLOWING:                  |                 |   |                  |                                      |  |  |  |
| X   | SERVICE MANAGER | X | WARRANTY MANAGER | X SERVICE TECHNICIANS INITIAL BELOW: |  |  |  |
| X   | PARTS MANAGER   | X | SHOP FOREMAN     |                                      |  |  |  |